



For Cladding

Ghost for cladding or plasterboard comes with an anodised aluminium recessed housing that can be finished in many different materials such as plasterboard, mosaic, ceramic tiles or stone finish. The fixtures aperture has also been developed with a slanted front panel accessory in anodised aluminium that can be removed to take different types of material finish, especially when the use of different materials may prove difficult when applying on the slanted aperture. Ghost has been developed so that it can be completely covered with the same material finish as the wall to totally integrate the fixture into the architecture and create discreet lighting effects.

**TECHNICAL DESCRIPTION**

Ghost for cladding can be installed in plasterboard panels for indoors, exterior fibre cement siding panels, breeze blocks or other construction materials that require a surface finish. A fixture that has been developed to be totally integrated into the architecture. The slanted front aperture can either be in anodised aluminium or it can be finished with the same material finish as the wall. The front lip of the recessed housing and the aluminium sides of the front aperture will remain visible.

For application in humid ambients like swimming pools, spa, wellness center it's necessary to use the version in 24V.

**PATENTED  
REGISTERED DESIGN**

**MICROGHOST SQUARE**

Requires a remote constant voltage driver. Luminaire supplied with 3,0m neoprene H05RN-F cable. CLASS III ⚡

**GHOST LINEAR**

Luminaire supplied with 6,0m neoprene H05RN-F cable. CLASS II ⚡

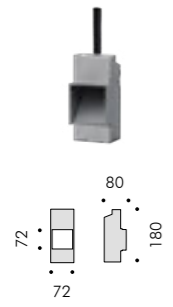
**PROTECTION CLASS**

IP65

**MECHANICAL RESISTANCE**

IK 10

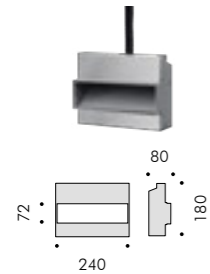




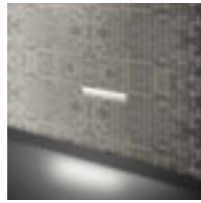
Microghost L 72mm



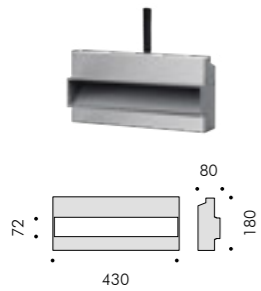
**C.8330W**  
 Housings in aluminium  
 +  
 Lighting element with  
 LED MODULE **3000K** CRI80 191lm 0,8W  
 (on request 2700K CRI80 161lm)  
 (on request 4000K CRI80 219lm)  
**24Vdc PWM**  
 Requires a remote constant voltage driver  
 (page 522-523)



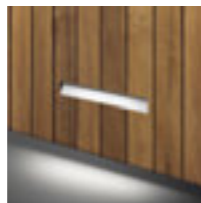
Ghost L 240mm



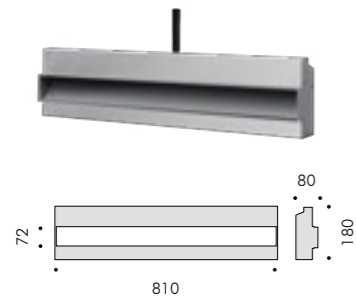
**C.8334W**  
 Housings in aluminium  
 +  
 Lighting element with  
 LED MODULE **3000K** CRI80 574lm 2,5W  
 (on request 2700K CRI80 483lm)  
 (on request 4000K CRI80 660lm)  
 220V-240Vac 50/60Hz  
 ON/OFF Not Dimmable



Ghost L 430mm



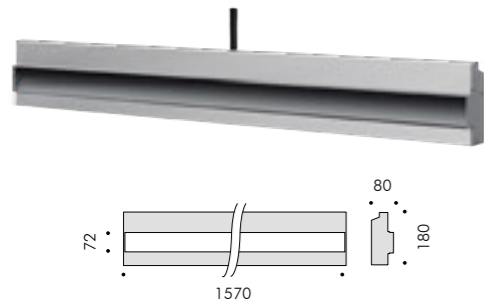
**C.8336W**  
 Housings in aluminium  
 +  
 Lighting element with  
 LED MODULE **3000K** CRI80 1148lm 5W  
 (on request 2700K CRI80 965lm)  
 (on request 4000K CRI80 1320lm)  
 220V-240Vac 50/60Hz  
 ON/OFF Not Dimmable



Ghost L 810mm



**C.8338W**  
 Housings in aluminium  
 +  
 Lighting element with  
 LED MODULE **3000K** CRI80 2295lm 9,9W  
 (on request 2700K CRI80 1931lm)  
 (on request 4000K CRI80 2639lm)  
 220V-240Vac 50/60Hz  
 ON/OFF Not Dimmable



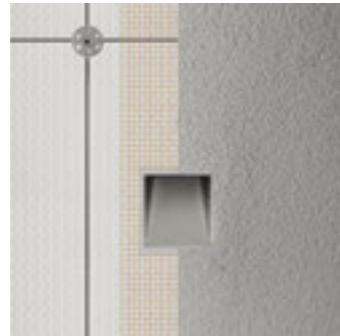
Ghost L 1570mm



**C.8340W**  
 Housings in aluminium  
 +  
 Lighting element with  
 LED MODULE **3000K** CRI80 4590lm 19,8W  
 (on request 2700K CRI80 3862lm)  
 (on request 4000K CRI80 5278lm)  
 220V-240Vac 50/60Hz  
 ON/OFF Not Dimmable



Kings College New Science Gallery, London, Great Britain © LTS Architects, Zumbobel UK, ph: Peter Landers



For Insulation panels



For Construction materials with plaster finish

**GHOST FOR INSULATION PANELS** is a wall mounted signal lighting fixture. The lighting fitting is provided already integrated in the insulation panel and has to be installed together with the other insulating panels of polystyrene. In this way the light is completely integrated in the insulated "shell" of the architecture without jeopardizing the thermal insulation and therefore maintaining the energy efficiency rating of the building.

**GHOST FOR CONSTRUCTION MATERIALS WITH PLASTER FINISH** is a further development of the Ghost range that allows to create lit voids into walls built from any material that require a plaster finish. The special recessed housing protrudes by 15mm so to consider the various layers of plaster in view of a perfect final flush finish. The inner slide of Ghost is already prepared for painting and then completely integrated within the architecture.

**TECHNICAL DESCRIPTION**

**GHOST FOR INSULATION PANEL**  
Ghost for insulation panel can be installed inside the exterior insulating panel, maintaining the degree of insulation of the house, since produced with the same type of insulating polystyrene. Attention should be paid only to the positioning of the corrugated tube for mains electrical connection.

**GHOST FOR CONSTRUCTION MATERIALS WITH PLASTER FINISH**  
Ghost can be easily applied in walls made of building materials in work to be plastered, like brick (bricks perforated) or concrete conglomerates. It is a product designed to be totally integrated with the architecture, of which will inherit the finishes. The recess is pre-finished and ready for painting.

**PATENTED REGISTERED DESIGN**

**MICROGHOST SQUARE**  
Requires a remote constant voltage driver. Luminaire supplied with 3,0m in neoprene H05RN-F cable. CLASS III ⚡

**GHOST HORIZONTAL**  
Requires a remote constant voltage driver. Luminaire supplied with 0,3m in neoprene H05RN-F cable and connector in the recessed box. CLASS III ⚡

**PROTECTION CLASS**  
IP65

**MECHANICAL RESISTANCE**  
IK 06



[www.simes.it/ghost-materials](http://www.simes.it/ghost-materials)

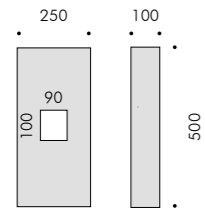
Microghost Square



**C.8130W**

AE D35 polystyrene block  
with housings in polypropylene  
+  
Lighting element with  
LED MODULE **3000K** CRI80 244lm 1,8W  
(on request 2700K CRI80 231lm)  
(on request 4000K CRI80 260lm)  
**24Vdc PWM**

Requires constant voltage 24Vdc  
remote power supply (page 522-523)



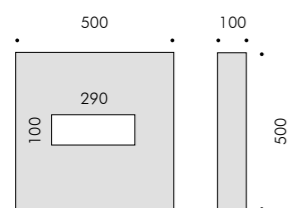
Ghost Horizontal



**C.8120W**

AE D35 polystyrene block  
with housings in polypropylene  
+  
Lighting element with  
LED MODULE **3000K** CRI80 1218lm 8,9W  
(on request 2700K CRI80 1157lm)  
(on request 4000K CRI80 1299lm)  
**24Vdc PWM**

Requires constant voltage 24Vdc remote  
power supply (page 522-523)



Private villa, Italy - Arch. Duilio Damilano Italy © ph. Mario Bertani / Simes S.p.A.

Microghost Square

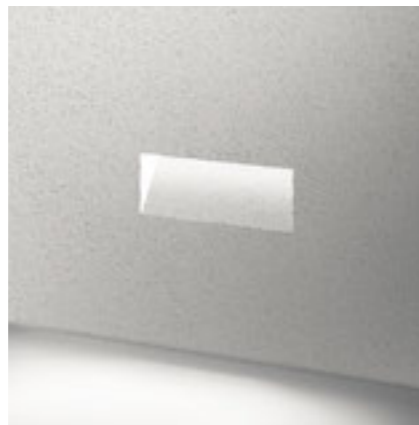


**C.8230W**

AE D35 polystyrene block  
with housings in polypropylene  
+  
Lighting element with  
LED MODULE **3000K** CRI80 244lm 1,8W  
(on request 2700K CRI80 231lm)  
(on request 4000K CRI80 260lm)  
**24Vdc PWM**

Requires constant voltage 24Vdc  
remote power supply (page 522-523)

Ghost Horizontal



**C.8220W**

AE D35 polystyrene block  
with housings in polypropylene  
+  
Lighting element with  
LED MODULE **3000K** CRI80 1218lm 8,9W  
(on request 2700K CRI80 1157lm)  
(on request 4000K CRI80 1299lm)  
**24Vdc PWM**

Requires constant voltage 24Vdc  
remote power supply (page 522-523)

